



## Type J (Swiss) Socket

### Standards, Approvals & Directives

IEC 60884-1(ed. 3)2002  
SEV 1011:2009

### Description:

16 amp Type J sockets available as single or double.

### Finishes:

Sockets are available with our complete range of plate finishes: Unlacquered Brass, Antique Bronze, Stainless Steel, Polished Nickel, Verdigris, Perspex and painted.

Socket inserts are available in black and white.

### Technical Specifications:

Minimum wall box depth: 35mm (requires British back box) Must be recessed 6mm into the wall.

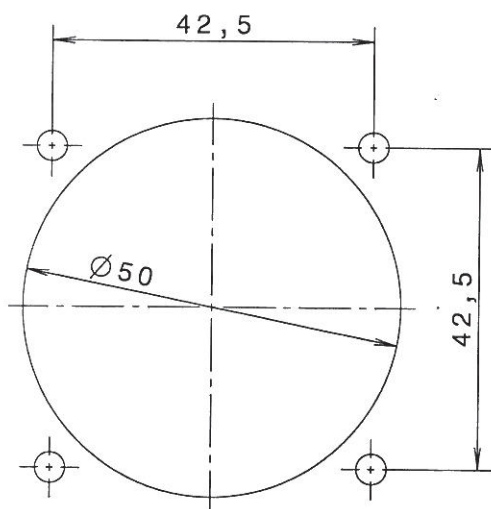
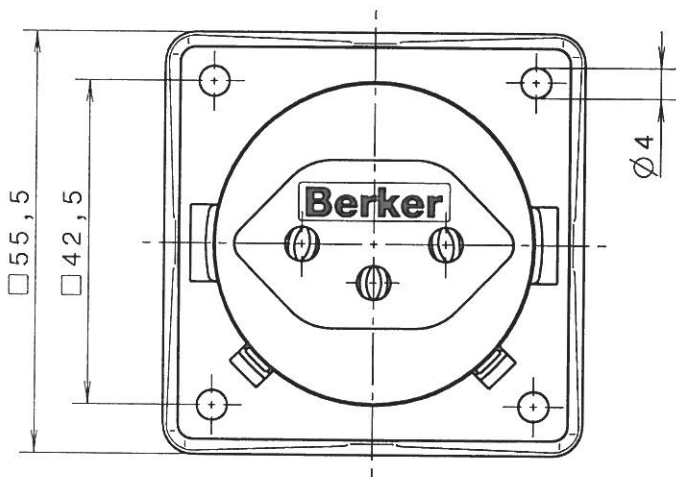
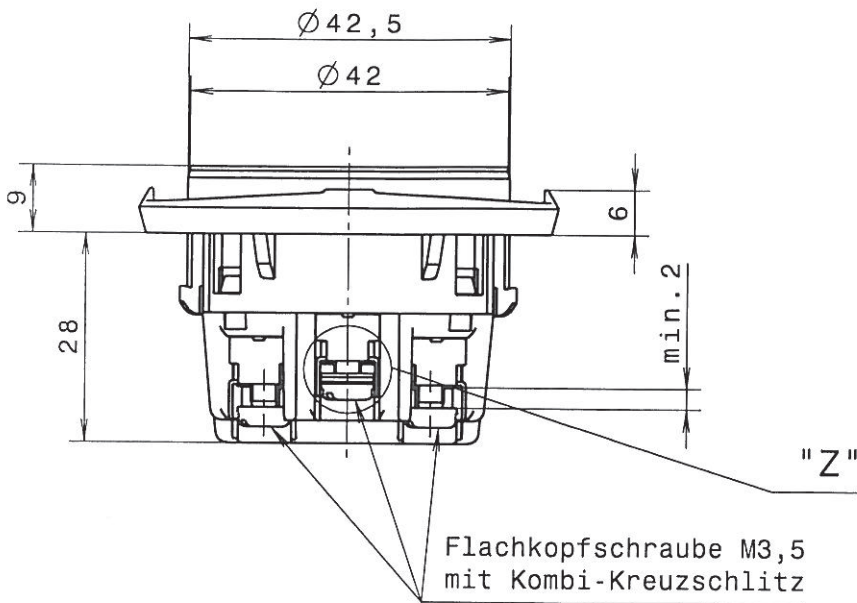
Current rating: 20VA

Voltage: 220/250V AC

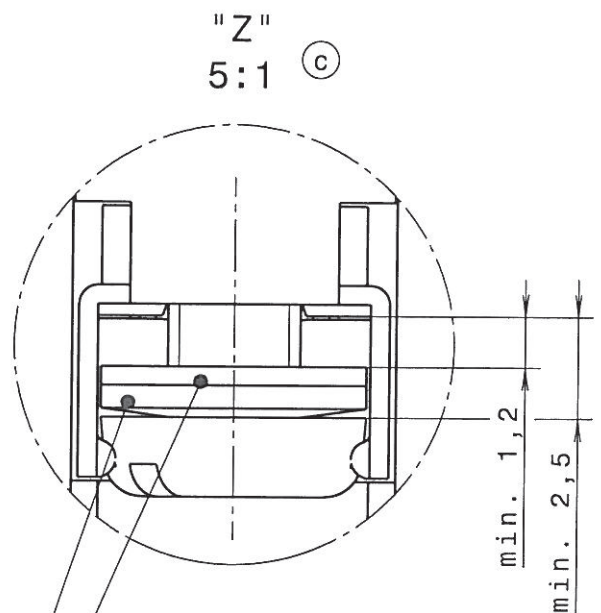
Max load: 200/250V input; 115/230V 20VA output



Type J (Swiss Socket)



Ø50 nach Berührungsdose  
Einbauausschnitt



Spannscheibe und Scheibe müssen  
nach Vorgabe der SEV-Prüfstelle  
bei der PE-Verschraubung  
vorhanden sein.